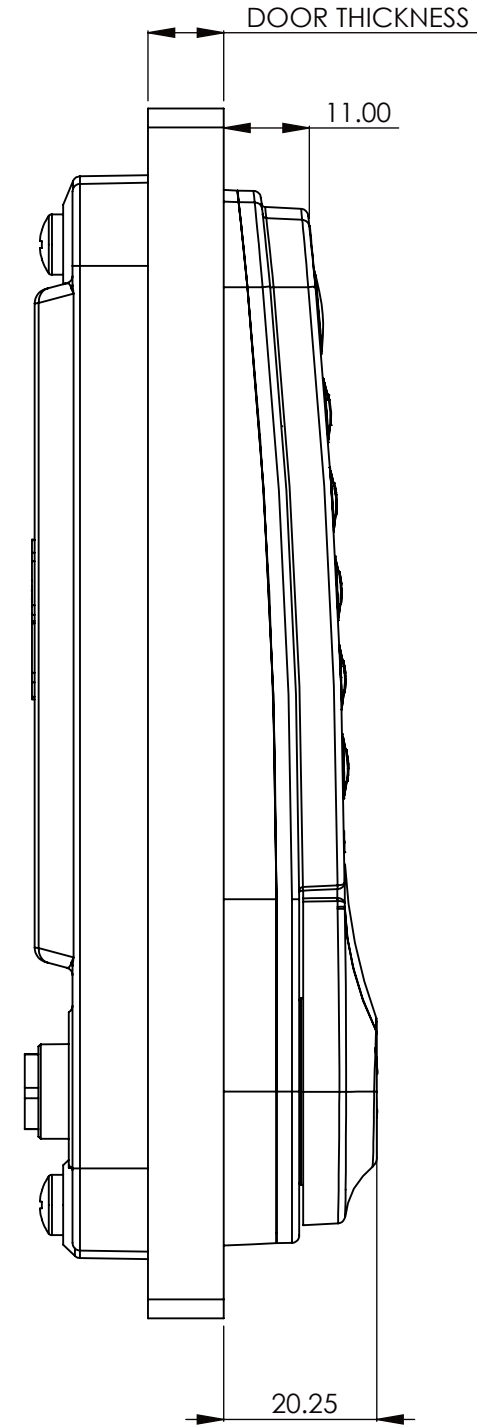
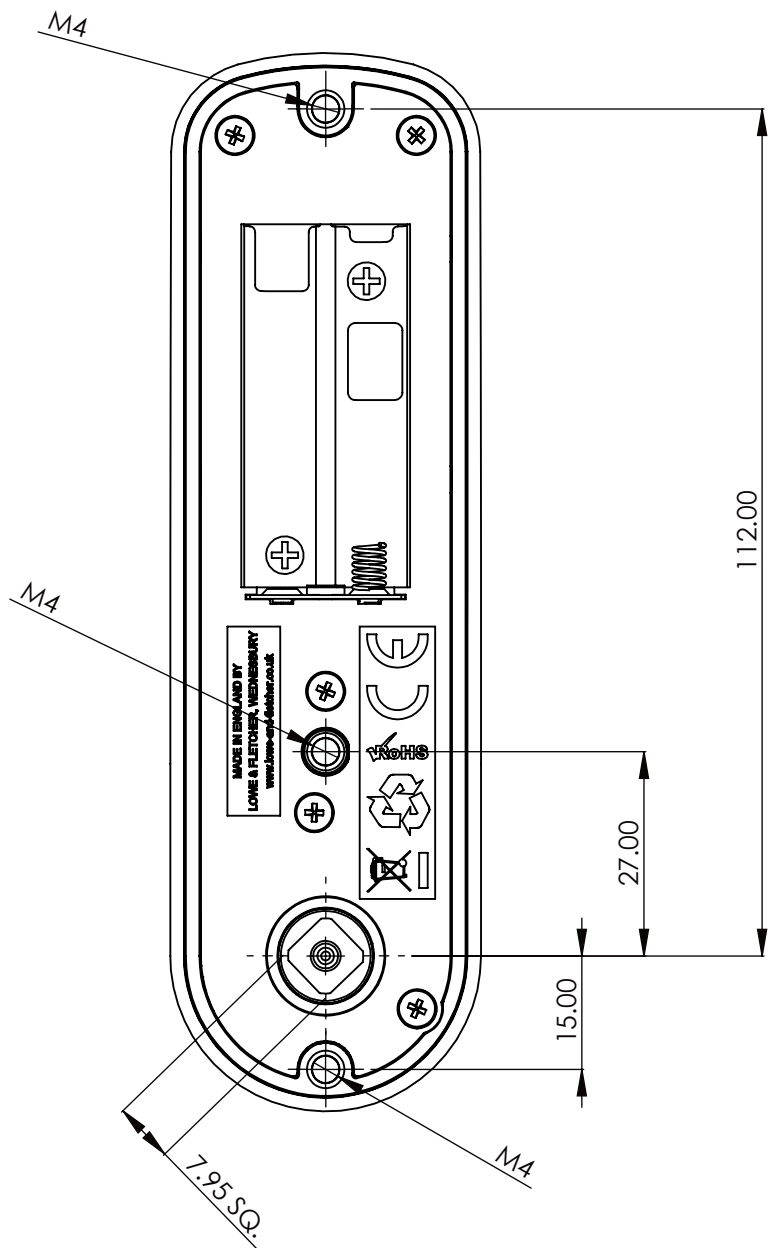


NIMBUS SURFACE MOUNT



NIMBUS SEMI-FLUSH FIT



L	VERTICAL	RH	LH
20mm	3960 111	3960 121	3960 131
24mm	3960 211	3960 221	3960 231
SLAM LENGTH	3960 511	3960 521	3960 531

**TOLERANCES:**  
 LINEAR: ±0.20mm ANGULAR: ±0.5°  
 UNLESS OTHERWISE STATED

MATERIAL				
SPEC.				
FINISH				
DRAWN	S.G	DATE	NO	MODIFICATION
CHECKED		DATE		DATE

© COPYRIGHT 2015  
 NO PART OF THIS DOCUMENT MAY BE REPRODUCED  
 IN ANY WAY WITHOUT PRIOR PERMISSION

**LOWE & FLETCHER**  
 LOCKING SYSTEMS FOR INDUSTRY

**3960 NIMBUS DIGITAL COMBINATION LOCK**

Sheet 1 of 1

SCALE 1:1