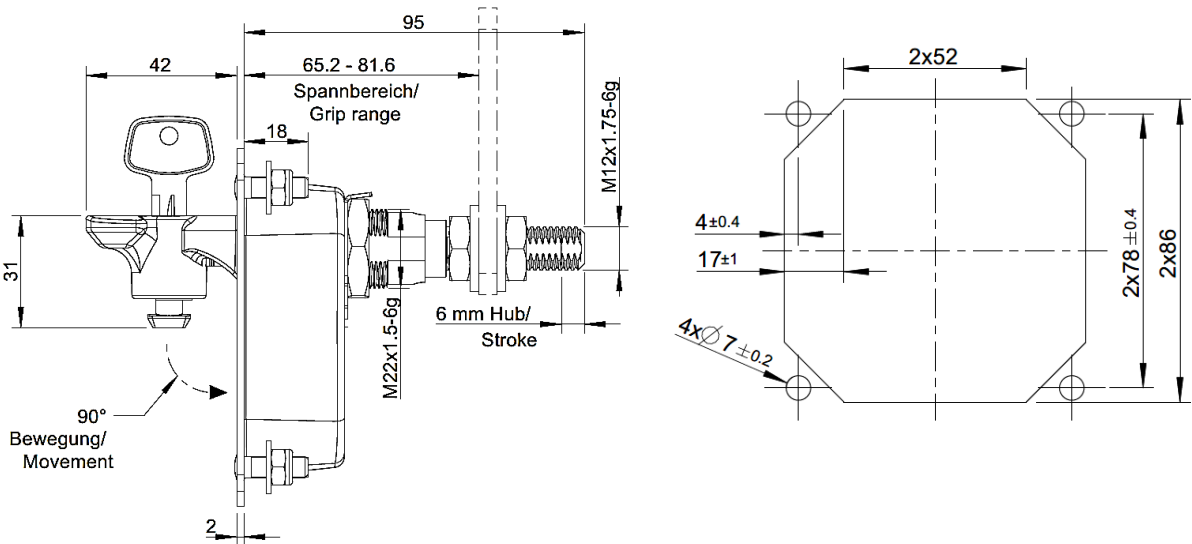




LOWE & FLETCHER

LOCKING SYSTEMS FOR INDUSTRY

Technical Information



Heavy Duty Lift & Turn Compression Latch

Standard features:

- Standard mounting holes
- Material thickness: 0.6 - 10 mm
- Vibration-proof mounting
- Robust stainless steel cup in RAL 9005 glossy black
- 200 Standard differs
- Dust and particle protected locking cylinder
- Stainless steel cam available in various designs
- Available with or without cup
- Bespoke locking systems and finishes available on request

Locking Systems for Industry

Product ID: A232-0000

EURO-LOCKS

Lowe & Fletcher Ltd
Moorcroft Drive Wednesbury,
West Midlands WS10 7DE,
England

T: + 44 (0) 121 505 0400
F: + 44 (0) 121 505 0420

E: sales@lowe-and-fletcher.co.uk
W: www.lowe-and-fletcher.co.uk

L&F A Lowe & Fletcher Group Company