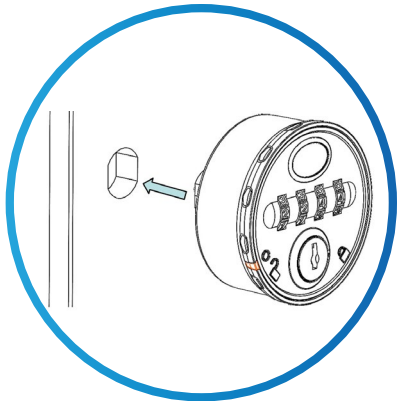


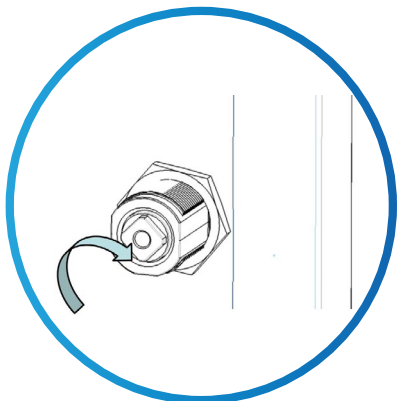
# Installation Instructions

## 2850 Auto-Scramble Mechanical Combination Lock



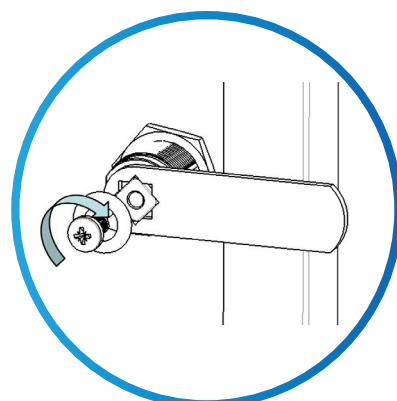
**Picture 1**

Position 2850 through door panel as shown.



**Picture 2**

Fit locking nut & tighten to secure.



**Picture 3**

Fit cam, washer & screw. Tighten with No.2 Pozidriv®

### Special Notes

Before installing the 2850 Auto-Scramble Mechanical Combination Lock, familiarize yourself with the operation and functions. Unless manufactured to special order:

- ✓ **The default User Code is 2244**
- ✓ **This code is common to all standard locks and it is very important that you set your own personal User Code**
- ✓ **Your lock is not secure until you have changed the default User Code**
- ✓ **Keep a safe record of your User Code**

The 2850 lock is supplied with a locking nut (22mm A/F), cam washer & cam fixing screw (M4)

- Step 1** Remove all packaging.
- Step 2** Position the lock on the outside of the door as shown in **Picture 1**.
- Step 3** Holding the lock in position, fit the locking nut and tighten to 5Nm to secure as shown in **Picture 2**.
- Step 4** Position the cam onto the rear of the lock as required, fit the cam washer and fixing screw as shown in **Picture 3**.
- Step 5** Tighten the cam fixing screw using a No.2 Pozidriv® to 1.5Nm. Take care not to damage the screw thread when fitting the screw.
- Step 6** Before closing the door, test the lock by selecting the correct User Code and rotating 90°.
- Step 7** Your lock should be ready to use.

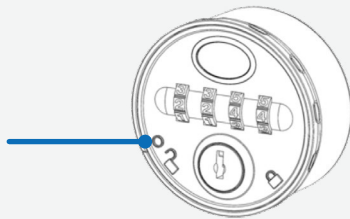
# User Instructions

## 2850 Auto-Scramble Mechanical Combination Lock

### Private Mode User Instructions Set A New User Code

- Step 1** Select current User Code (Default 2244)
- Step 2** Turn handle into the **'Open'** position, the wheels will scramble to protect code.
- Step 3** Re-enter current User Code (Default 2244), turn handle into code change position.
- Step 4** Enter new User Code
- Step 4** Close door and turn handle to **'Close'** position, the wheels will scramble to protect code. Check to ensure locked.

**Code Change Position**

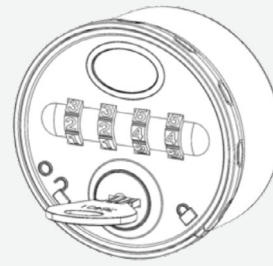


**Open** - Select User Code & turn handle

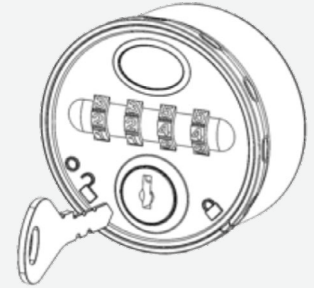
**Close** - Turn handle

### Code Find User Instructions

- Step 1** Insert master key override & turn 90° clockwise (see diagram 1).
- Step 2** Lightly rotate individual wheels (upwards) from left to right until each one locks into position (User Code identified).
- Step 3** Turn key 90° anti-clockwise & remove from lock (see diagram 2).
- Step 4** Refer to user instructions for procedure to set new User Code.



**Diagram 1**



**Diagram 2**

#### Lowe & Fletcher Ltd (UK)

E: sales@lowe-and-fletcher.co.uk  
T: +44 (0) 121 505 0400

#### Lowe & Fletcher Inc (USA)

E: sales@loweandfletcherinc.com  
T: +44 (0) 121 505 0400

#### Euro-Locks SA (France)

E: euro-locks@euro-locks.fr  
T: +33 (0)3.87.92.61.11

#### Euro-Locks SA NV (Belgium)

E: sales@euro-locks.be  
T: +32 61 212.261

#### Euro-Locks Sicherheitseinrichtungen GmbH (Germany)

E: vertrieb@euro-locks.de  
T: +49 (0) 6897 9072 0

#### Euro-Locks Sp. z o. o. (Poland)

E: sekretariat@euro-locks.pl  
T: +48 (32) 344-78-70, -82, -84