



LOWE&FLETCHER
LOCKING SYSTEMS FOR INDUSTRY



EURO-LOCKS
LOCKING SYSTEMS FOR INDUSTRY

Mechanical Combination Locks



Mechanical Combination Locks

At Lowe & Fletcher and Euro-Locks we design, manufacture and supply an extensive range of mechanical combination locks for different industries. Our products are in use around the world on a number of diverse applications in different environments.

Precision manufactured in our UK facility, our range of mechanical combination locks are a reliable form of security and eliminate the need for a key. With many different design features such as our patented code finding function and auto-scramble function, they can be used on many different applications including lockers, office furniture, medical furniture and so much more.

Part of the Lowe & Fletcher Group, we have been designing, manufacturing and supplying locking systems for commercial and industrial applications since 1889.



Product ID: 2800



Product ID: 2850



Product ID: 2700

For information on mechanical combination locks,
please contact our expert sales team.



Contents

PAGE
4

Standard Combination Lock

PAGE
6

Wet Area Combination Lock

PAGE
8

Saros Auto-Scramble Combination Lock

PAGE
10

Gemini Combination Lock

PAGE
12

Fitting Options

PAGE
14

About Us



Standard Combination Lock

The mechanical combination lock (product ID: 2800) is a 4-wheel combination lock designed and manufactured in the UK to exacting standards. Available in single-use public mode and private mode versions, this lock features up to 10,000 unique combinations.

The patented code finder function allows emergency access in the event of lost or forgotten codes. Furthermore, a simple button allows the user to set their own pin code and change it whilst the lock is open.

For added security and durability in the event of abuse or attack, this lock is available with an optional 'twist resist' feature. This feature also prevents damage to doors from abusive use. For further information on the fitting options available please see page 12.

With a robust design, range of options and simplicity of use, this combination lock is suitable for a broad range of applications including lockers, office furniture, and personal storage.

For more information about our
Standard Combination Lock



Standard Combination Lock

Standard Features

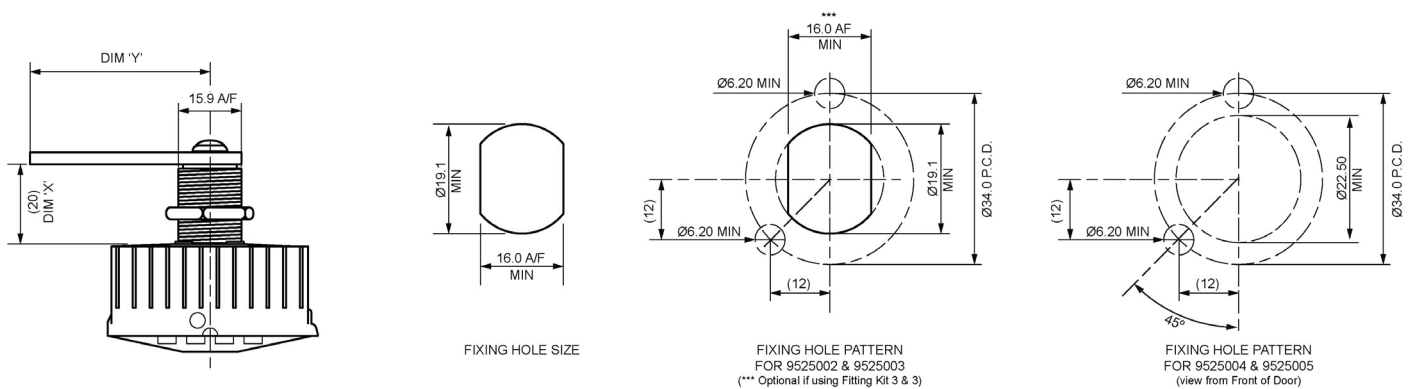
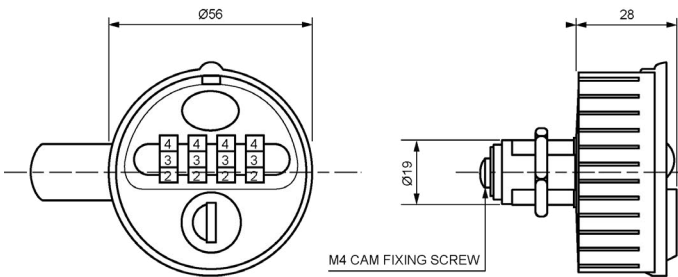
- ✓ Public and private mode versions available
- ✓ Left and right-hand versions available
- ✓ Standard fit or twist resist versions available
- ✓ 4 wheel combination for 10,000 user codes
- ✓ Patented code finder function
- ✓ Code changing function
- ✓ Zinc die-cast construction
- ✓ Available in 3 standard powder coat finishes (Black, White and Silver)
- ✓ Customisable logo area for customer logo application or sequential numbers
- ✓ Manufactured to fit standard industry footprint 16mm x 19mm



Product ID: 2800 Private Mode



Product ID: 2800 Public Mode



Wet Area Combination Lock

The wet area mechanical combination lock (Product ID: 2810) is a 4-wheel combination lock designed for use in chlorinated environments. Available in single-use public mode and private mode, and featuring up to 10,000 unique combinations, this corrosion resistant combination lock is ideal for use on lockers and personal storage areas in gyms, spas, swimming pools and leisure facilities.

Additional features allow the user to set their own pin code and change it at any time (private mode only), whilst the patented code finder function allows emergency access in the event of lost or forgotten codes. The Xylan finish ensures corrosion resistance and fitting is made easy by the standard industry footprint.

For added security and durability in the event of abuse or attack, this lock is available with an optional 'twist resist' feature. This feature also prevents damage to doors from abusive use. For further information on the fitting options available please see page 12.

For more information about our
Wet Area Combination Lock



Wet Area Combination Lock

Standard Features

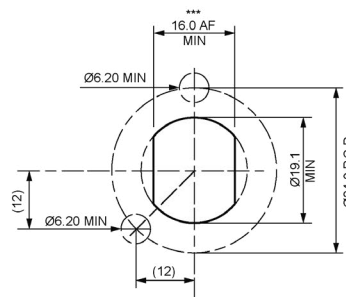
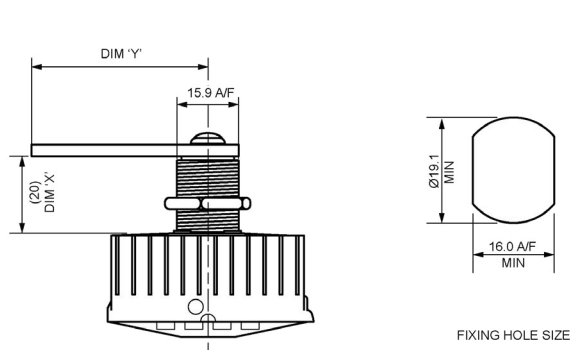
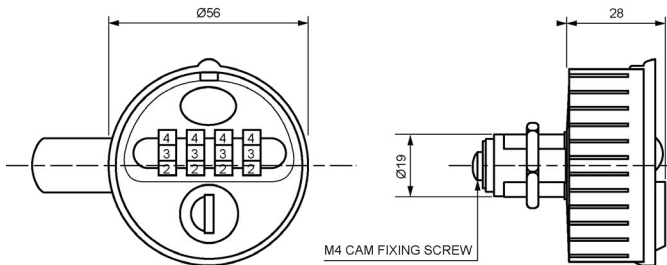
- ✓ Public and private mode versions available
- ✓ Left and right-hand versions available
- ✓ Standard fit or twist resist versions available
- ✓ 4 wheel combination for 10,000 user codes
- ✓ Patented code finder function
- ✓ Code changing function
- ✓ Zinc die-cast construction
- ✓ Xylan finish: corrosion resistant
- ✓ Customisable logo area for customer logo application or sequential numbers
- ✓ Manufactured to fit standard industry footprint
16mm x 19mm



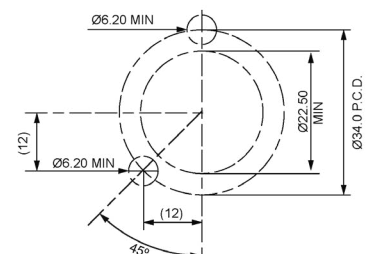
Product ID: 2810 Private Mode



Product ID: 2810 Public Mode



FIXING HOLE PATTERN
FOR 9525002 & 9525003
(*** Optional if using Fitting Kit 3 & 3)



FIXING HOLE PATTERN
FOR 9525004 & 9525005
(view from Front of Door)



Saros Auto-Scramble Combination Lock



The Saros auto-scramble combination lock (product ID: 2850) is the most secure mechanical combination lock on the market.

The 4-digit user code auto-scrambles once the lock is opened and closed to prevent the code being used and the locker accessed by unauthorised persons. Furthermore, the anti-tamper design protects damage to the internal mechanism if wheels are held or forced.

The hardened steel tumblers within the barrel give the lock a high picking resistance. Even if the lock is attacked, the unique barrel anti-attack feature renders the lock inoperable to prevent unauthorised entry to the locker.

For added security and durability in the event of abuse or attack, this lock is available with an optional 'twist resist' feature. This feature also prevents damage to doors from abusive use. For further information on the fitting options available please see page 12.

Available in private mode only, the 4-wheel combination features up to 10,000 unique combinations and the patented code finder function allows emergency access in the event of lost or forgotten codes.

For more information about our Saros Auto-Scramble Combination Lock



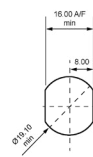
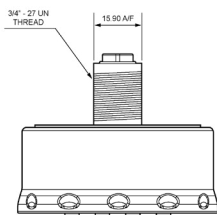
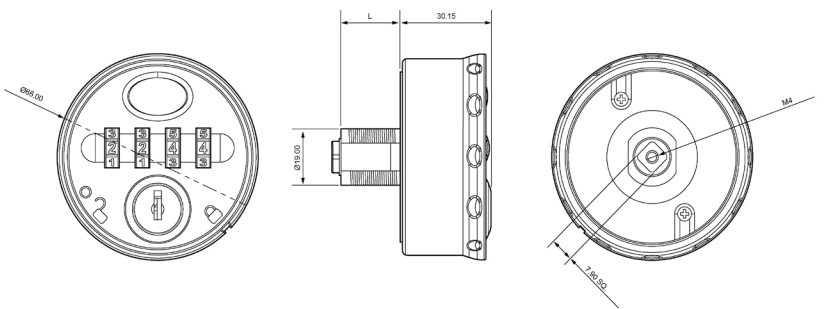
Saros Auto-Scramble Combination Lock

Standard Features

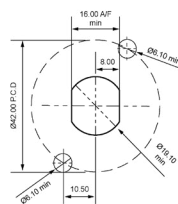
- ✓ 4-digit access code auto-scrambles once the lock is opened and closed
- ✓ High picking resistance
- ✓ Unique barrel anti-attack feature
- ✓ Anti-tamper design
- ✓ Patented code finder function
- ✓ Standard fit or twist resist versions available
- ✓ Private mode version available
- ✓ Right-hand version available
- ✓ 4-wheel combination for 10,000 user codes
- ✓ Zinc die-cast construction with die cast position indicators
- ✓ Available in 3 standard powder coat finishes (Black, White and Silver)
- ✓ Customisable logo area for customer logo application or sequential numbers
- ✓ Manufactured to fit standard industry footprint 16mm x 19mm
- ✓ 20mm and 30mm housing length available to suit door thicknesses up to 32mm



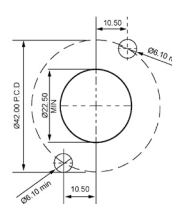
Product ID: 2850



9525001
OPTION 1



9525002 / 9525003
OPTION 2 & 3



9525004 / 9525005
OPTION 4 & 5



Gemini Mechanical Combination Lock



The Gemini combination lock (product ID: 2700) is a 4-wheel combination lock manufactured in our UK facility to exacting standards. Available in single-use public mode and private mode versions, this lock features up to 10,000 unique combinations.

A truly adaptable solution. The lock is available with vertical, horizontal, left or right-hand keypads and with flush or surface fit installation options.

The patented code finder function allows emergency access in the event of lost or forgotten codes. Additional features allow the user to set their own pin code and change it at any time (private mode only).

The small footprint, choice of standard or custom colours and wide range of options make Gemini the perfect choice for a wide range of applications, including lockers, cabinets and cupboards.

For more information about our Gemini Mechanical Combination Lock



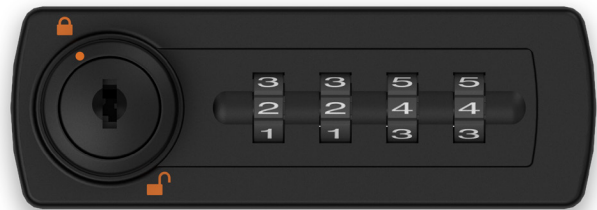
Gemini Mechanical Combination Lock

Standard Features

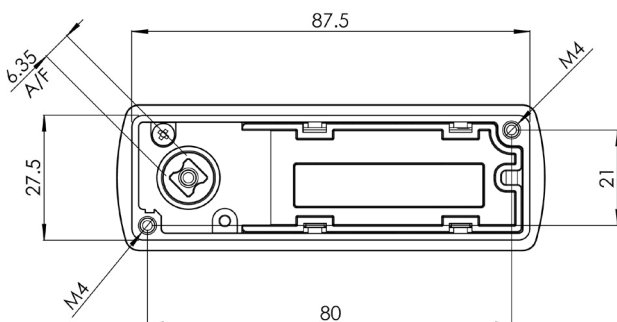
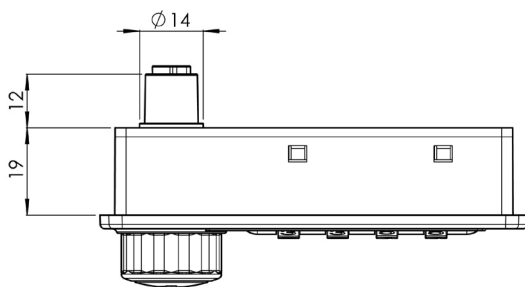
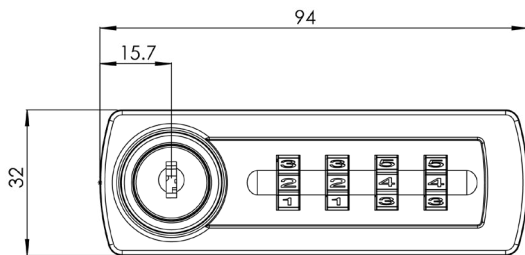
- ✓ Public and private mode versions available
- ✓ Left and right-hand, vertical and horizontal versions available
- ✓ Flush or surface fit installation options
- ✓ 4-wheel combination for 10,000 user codes
- ✓ Patented code finder function
- ✓ Code changing function
- ✓ Available in 3 standard powder coat finishes (Black, White and Silver)



Product ID: 2700 Private Mode



Product ID: 2700 Public Mode

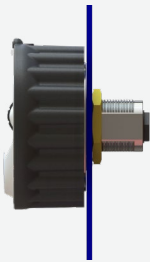


Fitting Options

Fitting Options compatible with Standard Combination Lock (Product ID: 2800), Wet Area Combination Lock (Product ID: 2810) and Saros Combination Lock (Product ID: 2850) only.

Option 1

Product No.
9525001



Standard Fit

Standard Housing Nut
2 x CSK Screws
1 x M4 x 6 Patch Screw
1 x M4 Washer

Suitable for:

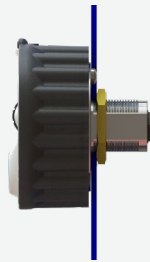
Product ID: 2800, 2810 and 2850
Door thickness up to 14mm

Fixing Hole Details

16A/F X Ø19

Option 2

Product No.
9525002



Twist Resist

Standard Housing Nut
2 x Pan Head Screws
1 x M4 x 6 Patch Screw
1 x M4 Washer

Suitable for:

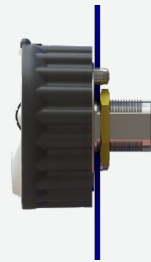
Product ID: 2800, 2810 and 2850
Door thickness up to 14mm

Fixing Hole Details

16A/F X Ø19 & 2 x Ø6.5 Holes
or Ø19 & 2 x Ø6.5 Holes

Option 3

Product No.
9525003



Twist Resist

Standard Housing Nut
2 x Pan Head Screws
2 x Pan Head Spacers
1 x M4 x 6 Patch Screw
1 x M4 Washer

Suitable for:

Product ID: 2800, 2810 and 2850
Door thickness up to 14mm

Fixing Hole Details

16A/F X Ø19 & 2 x Ø6.5 Holes
or Ø19 & 2 x Ø6.5 Holes

Option 4

Product No.
9525004



Twist Resist

Extension Housing Nut
2 x Pan Head Screws
2 x Pan Head Spacers
1 x M4 x 6 Patch Screw
1 x M4 Washer

Suitable for:

Product ID: 2800 and 2810
Door thickness 14mm - 16mm
Product ID: 2850
Door thickness 24mm - 26mm

Fixing Hole Details

Ø22.5 & 2 x Ø6.5 Holes

Option 5

Product No.
9525005



Twist Resist

Extension Housing Nut
2 x Pan Head Screws
2 x Pan Head Spacers
1 x Cam Extension 6.25mm
1 x M4 x 6 Patch Screw
1 x M4 Washer

Suitable for:

Product ID: 2800 and 2810
Door thickness 14mm - 23mm
Product ID: 2850
Door thickness 26mm - 32mm

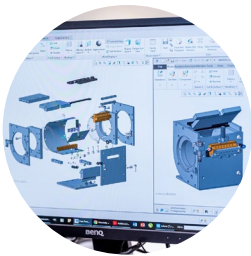
Fixing Hole Details

Ø22.5 & 2 x Ø6.5 Holes

About Lowe & Fletcher and Euro-Locks

Lowe & Fletcher design and manufacture locking systems for a broad range of industrial and commercial customers worldwide.

We supply over 80 million products annually, from precision mechanical locks to the latest digital and electronic locks with many different solutions, enabling us to meet diverse locking requirements.



Design

We work closely with all our customers to ensure they have the right locks and locking systems for their requirements. Using computer-aided design and rapid prototyping we are able to produce a 3D solid model of the lock for customer approval within 24 hours if required.



Precision Manufacturing

All our locking systems are manufactured in one of our six facilities. Utilising advanced primary and secondary manufacturing processes, we can ensure our production is efficient, flexible and driven by quality.

Automation plays a critical role in our precision manufacturing and a highly skilled workforce provides many years of experience in the final assembly of our products. This combined approach ensures quality is maintained throughout the process.



Supply

Whatever the solution we can supply in small or large volumes from our own operations. Our UK facility houses all the essential skills and processes under one roof, giving us full control over quality and output including design, tooling, PCB and component manufacturing.



Heritage

Lowe & Fletcher have been making locks since 1889. As a sixth generation family business we are proud of our heritage.



We're here and ready to help

We have been manufacturing mechanical locks, smart locks and locking systems in our UK facility for over 120 years and have sold millions of locking solutions globally. Supported by our expert teams in Europe and America, we are your trusted partner for any locking requirement.

Visit our websites for more information:

Lowe & Fletcher
www.lowe-and-fletcher.co.uk



Euro-Locks
www.euro-locks.com



Lowe & Fletcher Inc
www.loweandfletcherinc.com



CONTACT DETAILS

Lowe & Fletcher Ltd (UK)

E: sales@lowe-and-fletcher.co.uk
T: +44 (0) 121 505 0400

Euro-Locks SA (France)

E: euro-locks@euro-locks.fr
T: +33 (0)3.87.92.61.11

Lowe & Fletcher Inc (USA)

E: sales@loweandfletcherinc.com
T: +1 (616) 994 0490

Euro-Locks Sicherheitseinrichtungen GmbH (Germany)

E: vertrieb@euro-locks.de
T: +49 (0) 6897 9072 0

Euro-Locks SA NV (Belgium)

E: sales@euro-locks.be
T: +32 61 212.261

Euro-Locks Sp. z o. o. (Poland)

E: sekretariat@euro-locks.pl
T: +48 (32) 344-78-70, -82, -84



L&F A Lowe & Fletcher Group Company

© Copyright Lowe & Fletcher Group 2024.