



**LOWE&FLETCHER**  
LOCKING SYSTEMS FOR INDUSTRY



**EURO-LOCKS**  
LOCKING SYSTEMS FOR INDUSTRY

# Mechanical Combination Locks



# Mechanical Combination Locks

At Lowe & Fletcher and Euro-Locks we design, manufacture and supply an extensive range of mechanical combination locks for different industries. Our products are in use around the world on a number of diverse applications in different environments.

Precision manufactured in our UK facility, our range of mechanical combination locks are a reliable form of security and eliminate the need for a key. With many different design features such as our patented code finding function and auto-scramble function, they can be used on many different applications including lockers, office furniture, medical furniture and so much more.

Part of the Lowe & Fletcher Group, we have been designing, manufacturing and supplying locking systems for commercial and industrial applications since 1889.



Product ID: 2800



Product ID: 2850



Product ID: 2700

For information on mechanical combination locks, please contact our expert sales team.



# Contents

PAGE  
4

Standard Combination Lock

PAGE  
6

Wet Area Combination Lock

PAGE  
8

Key Control Code Change Lock

PAGE  
10

Saros Auto-Scramble Combination Lock

PAGE  
12

Gemini Combination Lock

PAGE  
14

Fitting Options

PAGE  
16

About Us



# Standard Combination Lock

The mechanical combination lock (Product ID: 2800) is a 4-wheel combination lock designed and manufactured in the UK to exacting standards. Available in single-use public mode and private mode versions, this lock features up to 10,000 unique combinations.

The patented code finder function allows emergency access in the event of lost or forgotten codes. Technology within the lock allows for the wheels to be rotated, only locking into position once the correct digit has been identified. Furthermore, a simple button allows the user to set their own pin code and change it whilst the lock is open (private mode only).

For added security and durability in the event of abuse or attack, this lock is available with an optional 'twist resist' feature which has compatibility to most types and thickness of doors. When installing with "twist resist" the lock can be secured to the surface of the door giving it greater stability and preventing damage to doors from 'twisting' of the lock and dislodging the fixing screws. For further information on the fitting options please see page 14.

With a robust design, range of options and simplicity of use, this combination lock is suitable for a broad range of applications including lockers, office furniture, and personal storage.

For more information about our  
Standard Combination Lock



# Standard Combination Lock

## Standard Features

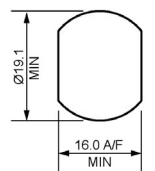
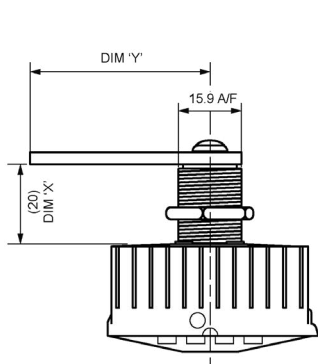
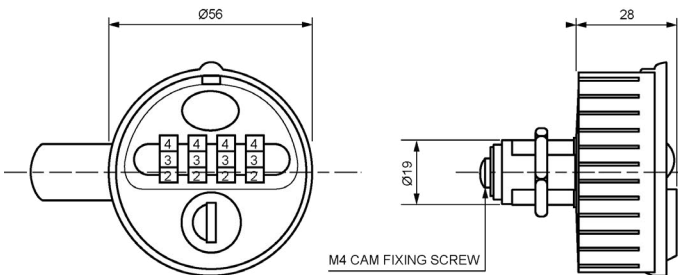
- ✓ 4-wheel combination for 10,000 user codes
- ✓ Patented code finder function
- ✓ Code changing function
- ✓ Standard or twist resist versions available
- ✓ Zinc die-cast construction
- ✓ Public and private mode versions available
- ✓ Left and right-hand versions available
- ✓ Available in 3 standard powder coat finishes (Black, White and Silver)
- ✓ Customisable logo area for customer logo application or sequential numbers
- ✓ Manufactured to fit standard industry footprint 16mm x 19mm



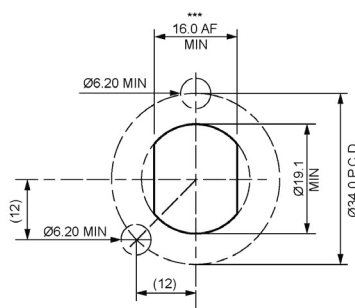
Product ID: 2800 Private Mode



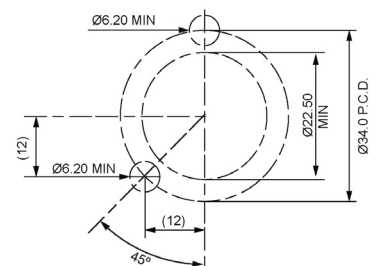
Product ID: 2800 Public Mode



FIXING HOLE SIZE



FIXING HOLE PATTERN FOR 9525002 & 9525003 (\*\*\*) Optional if using Fitting Kit 3 & 3)



FIXING HOLE PATTERN FOR 9525004 & 9525005 (view from Front of Door)



# Wet Area Combination Lock

The wet area mechanical combination lock (Product ID: 2810) is a 4-wheel combination lock designed for use in chlorinated environments. Available in single-use public mode and private mode, and featuring up to 10,000 unique combinations, this corrosion resistant combination lock is ideal for use on lockers and personal storage areas in gyms, spas, swimming pools and leisure facilities.

Additional features allow the user to set their own pin code and change it at any time (private mode only), whilst the patented code finder function allows emergency access in the event of lost or forgotten codes. The Xylan finish ensures corrosion resistance and fitting is made easy by the standard industry footprint.

For added security and durability in the event of abuse or attack, this lock is available with an optional 'twist resist' feature which has compatibility to most types and thickness of doors. When installing with "twist resist" the lock can be secured to the surface of the door giving it greater stability and preventing damage to doors from 'twisting' of the lock and dislodging the fixing screws. For further information on the fitting options please see page 14.

For more information about our  
Wet Area Combination Lock



# Wet Area Combination Lock

## Standard Features

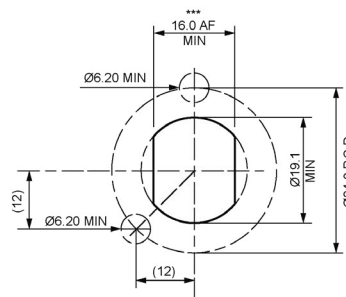
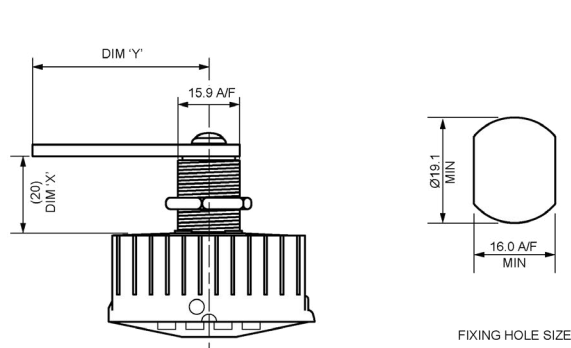
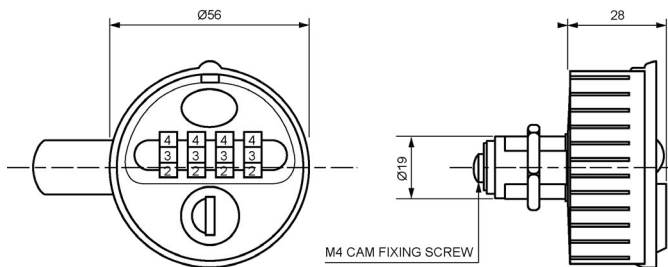
- ✓ 4-wheel combination for 10,000 user codes
- ✓ Patented code finder function
- ✓ Code changing function
- ✓ Standard or twist resist versions available
- ✓ Zinc die-cast construction
- ✓ Public and private mode versions available
- ✓ Left and right-hand versions available
- ✓ Xylan coating (black finish): corrosion resistant
- ✓ Customisable logo area for customer logo application or sequential numbers
- ✓ Manufactured to fit standard industry footprint 16mm x 19mm



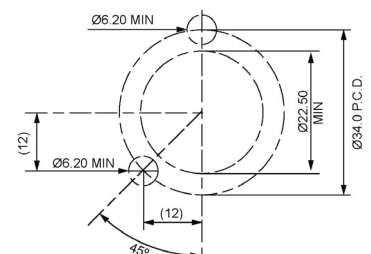
Product ID: 2810 Private Mode



Product ID: 2810 Public Mode



FIXING HOLE PATTERN FOR 9525002 & 9525003 (\*\* Optional if using Fitting Kit 3 & 3)



FIXING HOLE PATTERN FOR 9525004 & 9525005 (view from Front of Door)



# Key Control Code Change Lock

Take control of your locks with our innovative code change function!

The 4-wheel combination lock (Product ID: 2800C) is designed and manufactured with a strictly key-controlled code change function, which ensures only authorised personnel can allocate and change the access code on the lock.

This new function can also alleviate the headache of lost or forgotten codes! Simply create your own database of user codes and re-issue the lost or forgotten code as required. Additionally, the patented code finder function allows authorised personnel emergency access in the event of lost or forgotten codes. Technology within the lock allows for the wheels to be rotated, only locking into position once the correct digit has been identified.

For added security and durability in the event of abuse or attack, this lock is available with an optional 'twist resist' feature which has compatibility to most types and thickness of doors. When installing with "twist resist" the lock can be secured to the surface of the door giving it greater stability and preventing damage to doors from 'twisting' of the lock and dislodging the fixing screws. For further information on the fitting options available please see page 14.

With a robust design, range of options and simplicity of use, this combination lock is also available in a corrosion resistant finish (Product ID: 2810C see image below) making it suitable for schools, colleges, universities and other locker or personal storage areas in gyms, spas and swimming pools.

For more information about our  
Key Control Code Change Lock



# Key Control Code Change

## Standard Features

- ✔ 4-wheel combination for 10,000 user codes
- ✔ Patented code finder function
- ✔ Code change function is strictly key-controlled – no key, no code change
- ✔ Locker allocation made simple – issue the access code with the locker
- ✔ High picking resistance
- ✔ Unique barrel anti-attack feature
- ✔ Standard or twist resist versions available
- ✔ Zinc die-cast construction
- ✔ Private mode version only
- ✔ Left and right-hand versions available
- ✔ Available in 3 standard powder coat finishes (Black, White and Silver Product ID: 2800C only)
- ✔ Xylan coating (black finish): corrosion resistant (Product ID: 2810C only)
- ✔ Customisable logo area for customer logo application or sequential numbers
- ✔ Manufactured to fit standard industry footprint 16mm x 19mm



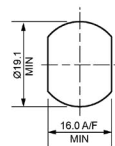
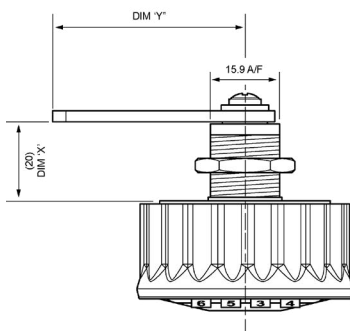
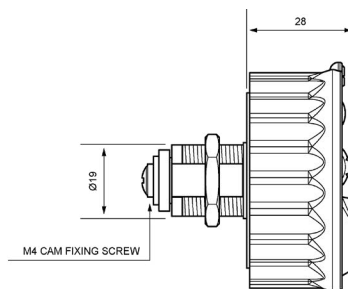
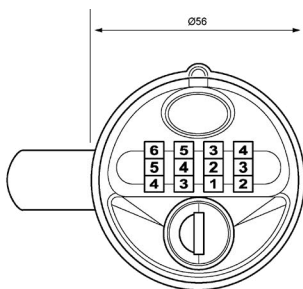
Product ID: 2800C



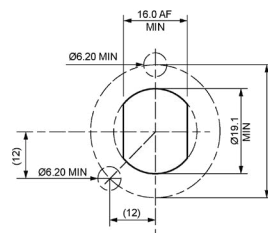
Product ID: 2800C



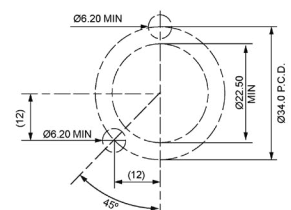
Product ID: 2800C / 2810C



FIXING HOLE SIZE FOR 9525001



FIXING HOLE PATTERN FOR 9525002 & 9525003



FIXING HOLE PATTERN FOR 9525004 & 9525005



# Saros Auto-Scramble Combination Lock



The Saros auto-scramble combination lock (Product ID: 2850) is the most secure mechanical combination lock on the market.

The 4-digit user code auto-scrambles once the lock is opened and closed to prevent the code being used and the locker accessed by unauthorised persons. Furthermore, the anti-tamper design protects damage to the internal mechanism if wheels are held or forced.

The steel tumblers within the barrel give the lock a high picking resistance. Even if the lock is attacked, the unique barrel anti-attack feature renders the lock inoperable to prevent unauthorised entry to the locker.

For added security and durability in the event of abuse or attack, this lock is available with an optional 'twist resist' feature which has compatibility to most types and thickness of doors. When installing with "twist resist" the lock can be secured to the surface of the door giving it greater stability and preventing damage to doors from 'twisting' of the lock and dislodging the fixing screws. For further information on the fitting options please see page 14.

Available in private mode only, the 4-wheel combination features up to 10,000 unique combinations and the patented code finder function allows emergency access in the event of lost or forgotten codes.

For more information about our Saros Auto-Scramble Combination Lock



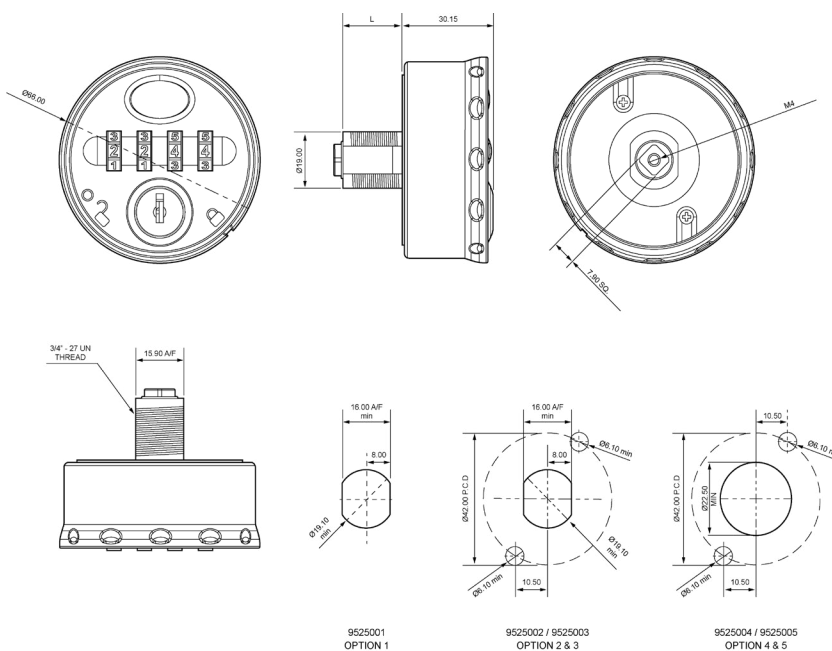
# Saros Auto-Scramble Combination Lock

## Standard Features

- ✓ 4-wheel combination for 10,000 user codes
- ✓ 4-digit access code auto-scrambles once the lock is opened and closed
- ✓ Patented code finder function
- ✓ High picking resistance
- ✓ Unique barrel anti-attack feature
- ✓ Anti-tamper design
- ✓ Standard or twist resist versions available
- ✓ Zinc die-cast construction with die cast position indicators
- ✓ Private mode version only
- ✓ Right-hand version only
- ✓ Available in 3 standard powder coat finishes (Black, White and Silver)
- ✓ Customisable logo area for customer logo application or sequential numbers
- ✓ Manufactured to fit standard industry footprint 16mm x 19mm
- ✓ 20mm and 30mm housing length available to suit door thicknesses up to 32mm



Product ID: 2850



# Gemini Mechanical Combination Lock



The Gemini combination lock (Product ID: 2700) is a 4-wheel combination lock manufactured in our UK facility to exacting standards. Available in single-use public mode and private mode versions, this lock features up to 10,000 unique combinations.

A truly adaptable solution. The lock is available with vertical, horizontal, left or right-hand keypads and with flush or surface fit installation options.

The patented code finder function allows emergency access in the event of lost or forgotten codes. Additional features allow the user to set their own pin code and change it at any time (private mode only).

The small footprint, choice of standard or custom colours and wide range of options make Gemini the perfect choice for a wide range of applications, including lockers, cabinets and cupboards.

For more information about our Gemini Mechanical Combination Lock



# Gemini Mechanical Combination Lock

## Standard Features

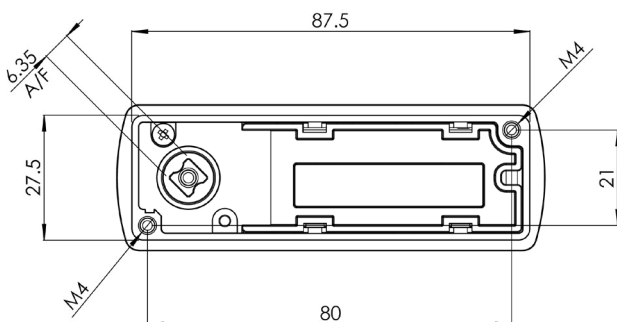
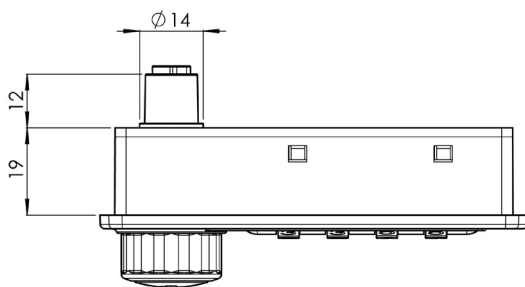
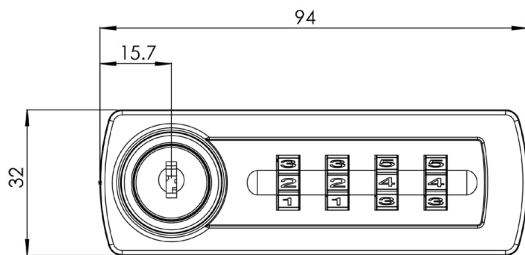
- ✓ 4-wheel combination for 10,000 user codes
- ✓ Patented code finder function
- ✓ Code changing function
- ✓ Public and private mode versions available
- ✓ Left and right-hand, vertical and horizontal versions available
- ✓ Flush or surface fit installation options
- ✓ Available in 3 standard powder coat finishes (Black, White and Silver)



Product ID: 2700 Private Mode



Product ID: 2700 Public Mode

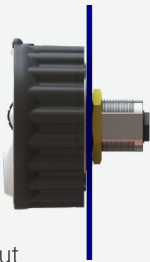


# Fitting Options

Fitting Options compatible with Standard Combination Lock (Product ID: 2800), Wet Area Combination Lock (Product ID: 2810), Key Control Code Change (Product ID: 2800C) and Saros Combination Lock (Product ID: 2850) only.

## Option 1

Product No.  
9525001



### Standard Fit

Standard Housing Nut  
2 x CSK Screws  
1 x M4 x 6 Patch Screw  
1 x M4 Washer

### Suitable for:

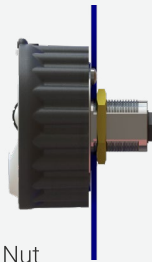
Product ID: 2800, 2810 and 2800C  
Door thickness up to 14mm  
Product ID: 2850  
Door thickness 14mm - 24mm

### Fixing Hole Details

16A/F X Ø19

## Option 2

Product No.  
9525002



### Twist Resist

Standard Housing Nut  
2 x Pan Head Screws  
1 x M4 x 6 Patch Screw  
1 x M4 Washer

### Suitable for:

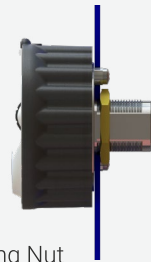
Product ID: 2800, 2810 and 2800C  
Door thickness up to 14mm  
Product ID: 2850  
Door thickness 14mm - 24mm

### Fixing Hole Details

16A/F X Ø19 & 2 x Ø6.5 Holes  
or Ø19 & 2 x Ø6.5 Holes

## Option 3

Product No.  
9525003



### Twist Resist

Standard Housing Nut  
2 x Pan Head Screws  
2 x Pan Head Spacers  
1 x M4 x 6 Patch Screw  
1 x M4 Washer

### Suitable for:

Product ID: 2800, 2810 and 2800C  
Door thickness up to 14mm  
Product ID: 2850  
Door thickness 14mm - 24mm

### Fixing Hole Details

16A/F X Ø19 & 2 x Ø6.5 Holes  
or Ø19 & 2 x Ø6.5 Holes

## Option 4

Product No.  
9525004



### Twist Resist

Extension Housing Nut  
2 x Pan Head Screws  
2 x Pan Head Spacers  
1 x M4 x 6 Patch Screw  
1 x M4 Washer

### Suitable for:

Product ID: 2800, 2810 and 2800C  
Door thickness 14mm - 19.5mm  
Product ID: 2850  
Door thickness 24mm - 26mm

### Fixing Hole Details

Ø22.5 & 2 x Ø6.5 Holes

## Option 5

Product No.  
9525005



### Twist Resist

Extension Housing Nut  
2 x Pan Head Screws  
2 x Pan Head Spacers  
1 x Cam Extension 6.25mm  
1 x M4 x 6 Patch Screw  
1 x M4 Washer

### Suitable for:

Product ID: 2800, 2810 and 2800C  
Door thickness 14mm - 23mm  
Product ID: 2850  
Door thickness 26mm - 32mm

### Fixing Hole Details

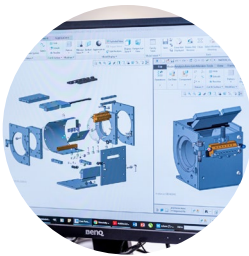
Ø22.5 & 2 x Ø6.5 Holes



# About Lowe & Fletcher and Euro-Locks

Lowe & Fletcher design and manufacture locking systems for a broad range of industrial and commercial customers worldwide.

We supply over 80 million products annually, from precision mechanical locks to the latest digital and electronic locks with many different solutions, enabling us to meet diverse locking requirements.



## Design

We work closely with all our customers to ensure they have the right locks and locking systems for their requirements. Using computer-aided design and rapid prototyping we are able to produce a 3D solid model of the lock for customer approval within 24 hours if required.



## Precision Manufacturing

All our locking systems are manufactured in one of our six facilities. Utilising advanced primary and secondary manufacturing processes, we can ensure our production is efficient, flexible and driven by quality.

Automation plays a critical role in our precision manufacturing and a highly skilled workforce provides many years of experience in the final assembly of our products. This combined approach ensures quality is maintained throughout the process.



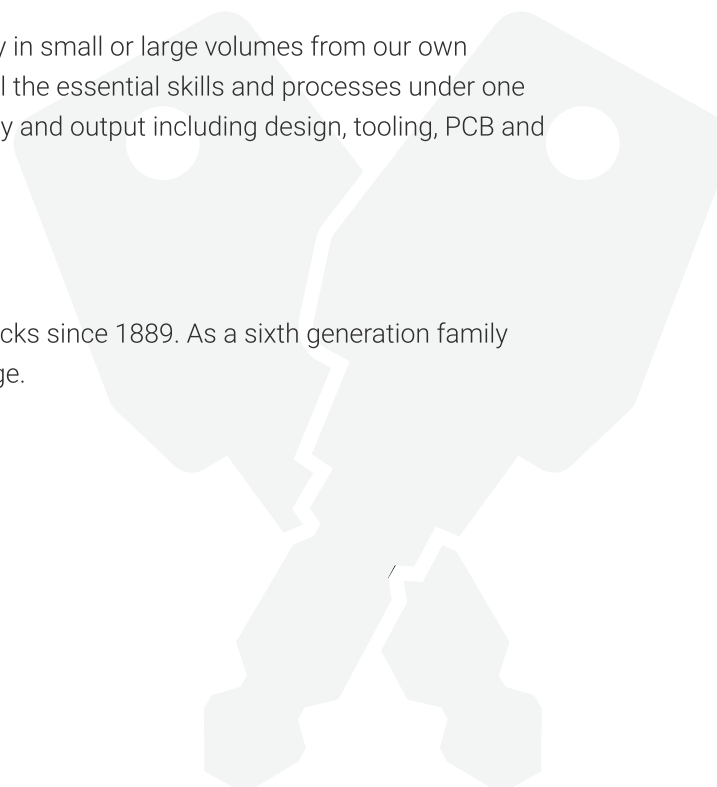
## Supply

Whatever the solution we can supply in small or large volumes from our own operations. Our UK facility houses all the essential skills and processes under one roof, giving us full control over quality and output including design, tooling, PCB and component manufacturing.



## Heritage

Lowe & Fletcher has been making locks since 1889. As a sixth generation family business we are proud of our heritage.



# We're here and ready to help

We have been manufacturing mechanical locks, smart locks and locking systems in our UK facility for over 130 years and have sold millions of locking solutions globally. Supported by our expert teams in Europe and America, we are your trusted partner for any locking requirement.

Visit our websites for more information:

Lowe & Fletcher  
[www.lowe-and-fletcher.co.uk](http://www.lowe-and-fletcher.co.uk)



Euro-Locks  
[www.euro-locks.com](http://www.euro-locks.com)



Lowe & Fletcher Inc  
[www.loweandfletcherinc.com](http://www.loweandfletcherinc.com)



## CONTACT DETAILS

### Lowe & Fletcher Ltd (UK)

E: [sales@lowe-and-fletcher.co.uk](mailto:sales@lowe-and-fletcher.co.uk)  
T: +44 (0) 121 505 0400

### Euro-Locks SA (France)

E: [euro-locks@euro-locks.fr](mailto:euro-locks@euro-locks.fr)  
T: +33 (0)3.87.92.61.11

### Lowe & Fletcher Inc (USA)

E: [sales@loweandfletcherinc.com](mailto:sales@loweandfletcherinc.com)  
T: +44 (0) 121 505 0400

### Euro-Locks Sicherheitseinrichtungen GmbH (Germany)

E: [vertrieb@euro-locks.de](mailto:vertrieb@euro-locks.de)  
T: +49 (0) 6897 9072 0

### Euro-Locks SA NV (Belgium)

E: [sales@euro-locks.be](mailto:sales@euro-locks.be)  
T: +32 61 212.261

### Euro-Locks Sp. z o. o. (Poland)

E: [sekretariat@euro-locks.pl](mailto:sekretariat@euro-locks.pl)  
T: +48 (32) 344-78-70, -82, -84



**L&F** A Lowe & Fletcher Group Company

© Copyright Lowe & Fletcher Group 2026.