

**NO MORE
LOST KEYS**

Nimbus RFID Digital Combination Lock

The Nimbus RFID digital lock provides contactless locking in the same sleek, slimline style and footprint as the Nimbus digital combination lock.

Manufactured in the UK, Nimbus is compatible with RFID standards and incorporates a membrane touchpad for ease of programming. The keypad can also be used to override the lock when required.

The Nimbus range of locks are all designed to fit the same footprint as our standard electronic lock range, making them easy to upgrade or retro-fit to existing installations.

Available in wet area version, public, private and RAS remote allocation modes, typical applications for the lock include commercial and office environments, lockers and enclosures.

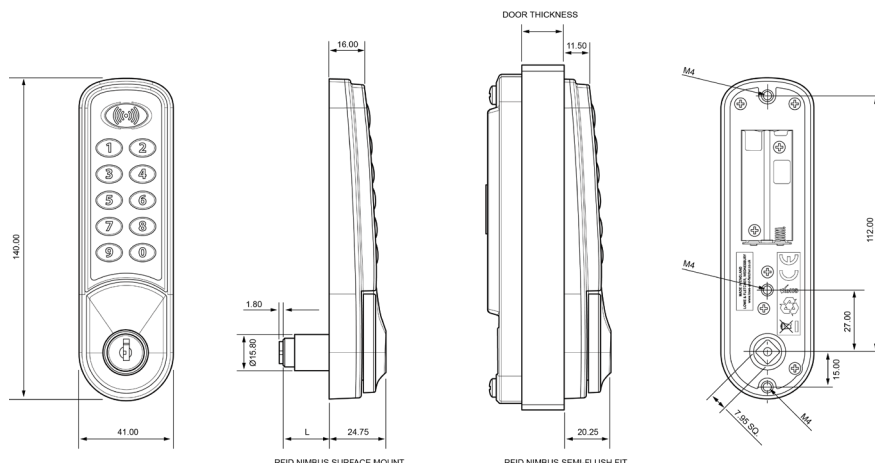


Product ID: 3964



Product ID: 3963

Nimbus RFID Digital Combination Lock



Product ID: 3963

Standard Features

- ✓ Choice of RFID card or keypad use
- ✓ Black, silver or white as standard
- ✓ Chrome and brushed nickel colour available on request
- ✓ Surface mount and semi-flush fit fitting options (maximum 20mm protrusion)
- ✓ Steel override key
- ✓ Two or three-point fixing
- ✓ Wide variety of cams
- ✓ LED indicator lights
- ✓ Optional audible keypad
- ✓ Battery condition indicator
- ✓ 8-digit master code
- ✓ 6-digit sub-master code
- ✓ 4 or 6-digit user code
- ✓ Private or public user modes
- ✓ 20mm or 24mm spindle length
- ✓ Technician mode
- ✓ 2 x AAA batteries (included)
- ✓ Up to 50,000 cycles per pair of batteries
- ✓ Vertical, left and right hand fixing
- ✓ Multiple incorrect code timed lock-out protection
- ✓ High, normal or low speed detection mode

Programming Features

- ✓ Change master card
- ✓ Add user card (private mode only)
- ✓ Set private mode
- ✓ Set public mode
- ✓ Set audio

Optional Features

- ✓ Available with Remote Allocation System (RAS)
- ✓ One or two time RAS mode
- ✓ Alternative colours
- ✓ Pre-programmed modes and codes
- ✓ Customised logo



Low e & Fletcher Ltd (UK)
E: sales@lowe-and-fletcher.co.uk
T: +44 (0) 121 505 0400
W: www.lowe-and-fletcher.co.uk

Low e & Fletcher Inc (USA)
E: sales@loweandfletcherinc.com
T: +1 (616) 994 0490
W: www.loweandfletcherinc.com



Euro-Locks SA NV (Belgium)
E: sales@euro-locks.be
T: +32 61 212.261
W: www.euro-locks.be

Euro-Locks SA (France)
E: euro-locks@euro-locks.fr
T: +33 (0)3.87.92.61.11
W: www.euro-locks.fr

Euro-Locks Sicherheitseinrichtungen GmbH (Germany)
E: vertrieb@euro-locks.de
T: +49 (0) 6897 9072 0
W: www.euro-locks.de

Euro-Locks Sp. z o. o. (Poland)
E: sekretariat@euro-locks.pl
T: +48 (32) 344-78-70, -82, -84
W: www.euro-locks.pl