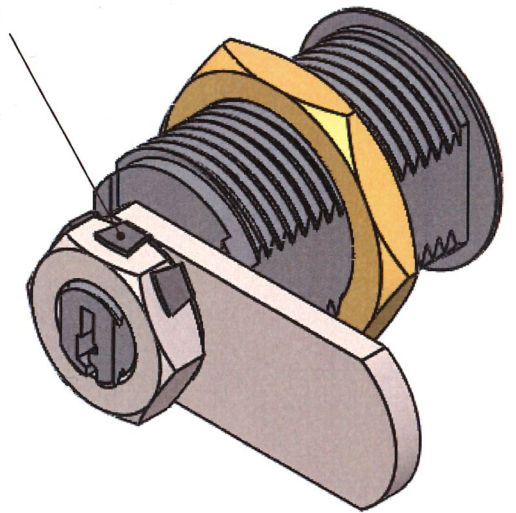
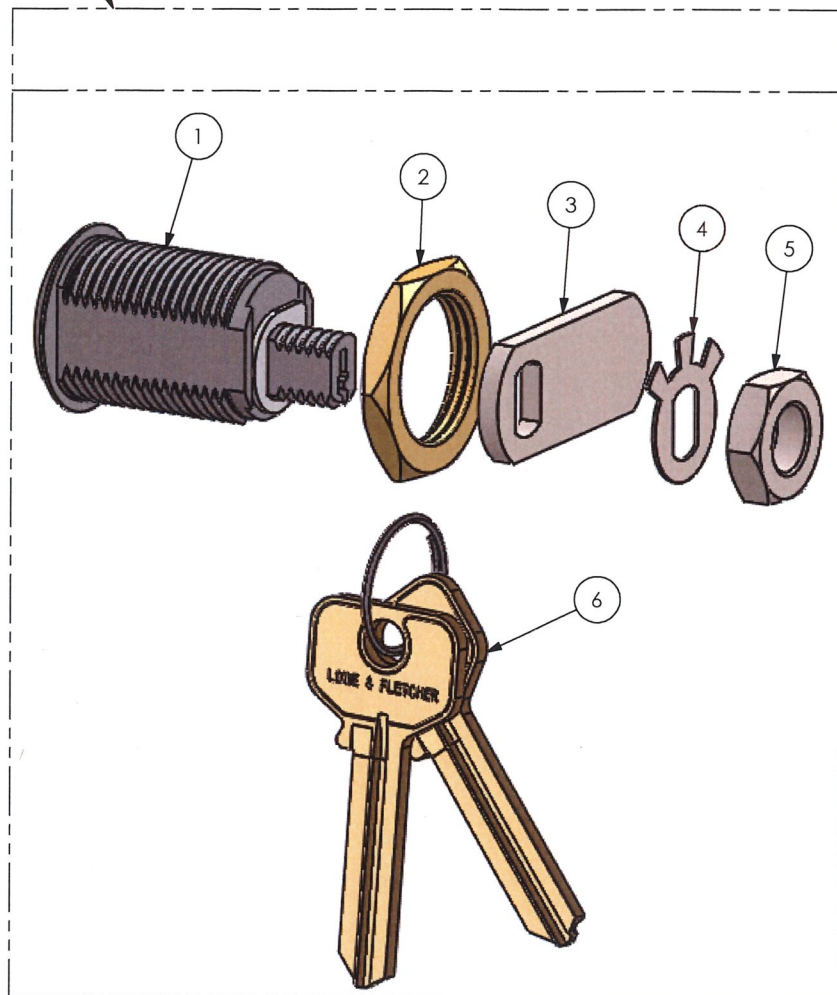


TABS MUST BE FORMED OVER NUT ON INSTALLATION TO PREVENT NUT FROM TURNING.

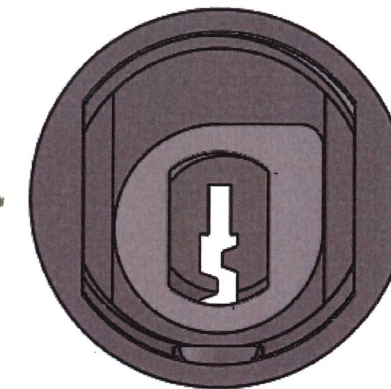
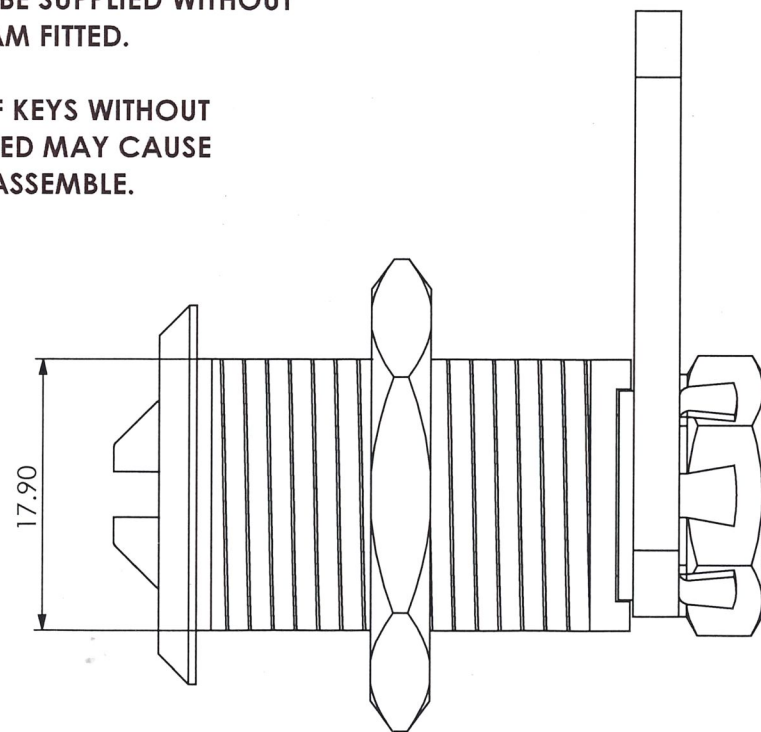


7

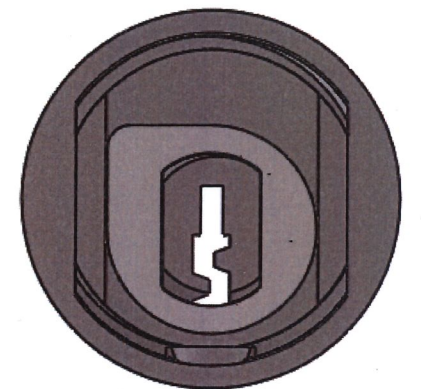


PRODUCT TO BE SUPPLIED WITHOUT KEYS AND CAM FITTED.

INSERTION OF KEYS WITHOUT CAM NUT FITTED MAY CAUSE LOCK TO DISASSEMBLE.



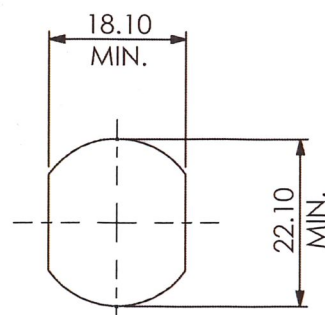
RH  
7703-512A



LH  
7703-522A

STOP PLATE TO BE PRESS FITTED ON TO SPINDLE ORIENTATION TO SUIT LEFT HAND or RIGHT HAND

RECOMMENDED HOLE PIERCING scale 1:1



ITEM	PART NUMBER	DESCRIPTION
1	7702-502A	ILPT Bought Out Assy
2	8981251	M22 NUT
3	65341-05__ or 06__	CAM (sales to specify)
4	70187-0100	TAB WASHER
5	8982801	M10 NUT
6	65047 ____	KEYS
7		POLY BAG 100 x 150

<b>TOLERANCES:</b> LINEAR ±0.25mm ANGULAR ±0.5° UNLESS OTHERWISE STATED			
MATERIAL	AS DETAILS		
SPEC.		2	ECN7245 - 2 NOTES ADDED 10/12/19
FINISH		1	ECN6976 - FIRST ISSUE 29/01/15
DRAWN	A.S.	DATE	12/02/14
CHECKED	CST	DATE	11/12/19
© COPYRIGHT 2015 NO PART OF THIS DOCUMENT MAY BE REPRODUCED IN ANY WAY WITHOUT PRIOR PERMISSION		ORIGINAL SHEET SIZE A3	
DESCRIPTION <b>ILPT CAM LOCK (WET AREA)</b> 7703-512A (RH) 7703-522A (LH)			