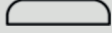
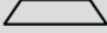
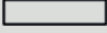
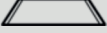






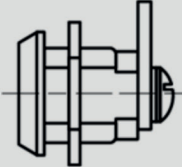
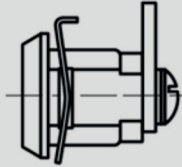
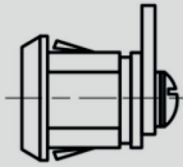


Head Shape and Fixings

Information regarding head shapes, and common fixing types. Please note that some locks may have unique heads or fixing methods. Please contact our technical team for more information if unsure.

Head Shapes Shown In Product Database				
				
				
Round	Conical	Cylindrical	Square	Rectangular

Lock Fixing Methods		
		
Nut Fixing (For max. 28mm panels)	Horseshoe Clip (For max. 25mm panels)	Snap-In (For 0,6 to 1,82mm panels)