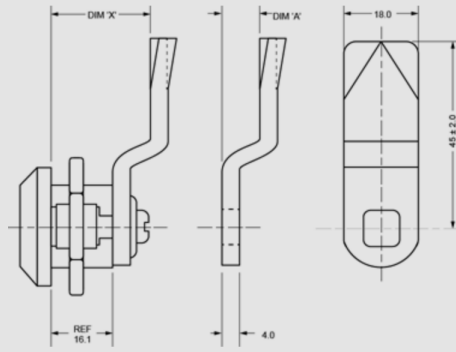


CAMS

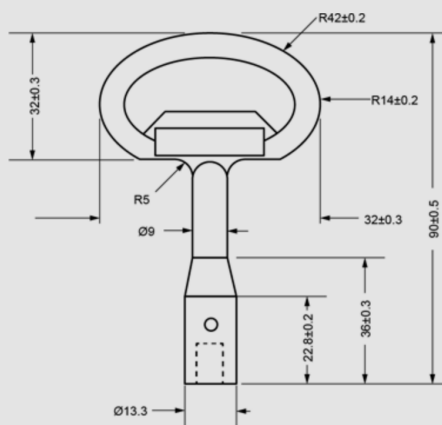


PRODUCT REFERENCE NUMBERS

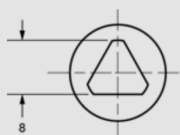
DIM. X.	DIM. A.	PART NUMBER
16	0	6525301
20	4	6525302
25	9	6525303
30	14	6525304
35	19	6525305
40	24	6525306
45	29	6525307
50	34	6525308

NOTE: DIMENSIONS 'X' IS IDENTICAL WHEN CAM IS USED ON PRODUCTS 0011, 0012, 0013, 0014, 0021,0022, 0023, 0024 OR 0025. NOT SUITABLE FOR 2609

KEYS FOR SPANNER LOCKS

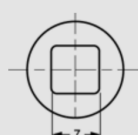


8 TRIANGULAR



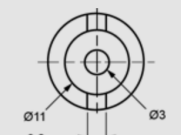
KEY FOR 00139304673

7 SQUARE



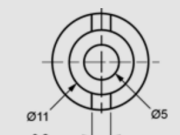
KEY FOR 00129304671

DOUBLE BARB



KEY FOR 00149304672

DOUBLE BARB



KEY FOR 00119304670