



EURO-LOCKS
LOCKING SYSTEMS FOR INDUSTRY



UPGRADE YOUR OFFICE FURNITURE

Introducing the Eclipse Digital Combination Lock.

Upgrade existing mechanical locks and keys with this innovative system. Simply remove the existing lock cylinder and replace it with this advanced and stylish digital combination lock.

Eclipse
digital combination lock

www.eclipselock.co.uk

THE ECLIPSE FURNITURE LOCK

This innovative digital combination lock can be retro-fitted to office furniture and provides a clear upgrade path for new and refurbished office furniture. Working with a removable cylinder, the lock fits neatly into the aperture left in the furniture when the old cylinder is removed.

The lock is also ideal for use in modern office environments where employees work flexibly and move around different areas or sites and do not have allocated desks.

Personal and temporary storage for employees' belongings and delivery of mail can be provided by banks of lockers as well as traditional pedestals.

The Eclipse lock is designed and manufactured in the UK to exacting standards. Featuring a solid zinc alloy housing, ten-digit keypad, multiple fixing points and a secure key override, this digital combination lock is the perfect choice for any office environment.



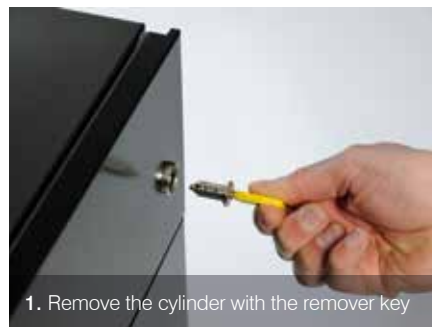
Up to
10,000
unique code
combinations





HOW IT WORKS

A simple three-stage process to upgrade your existing furniture



1. Remove the cylinder with the remover key



2. Install the adapter



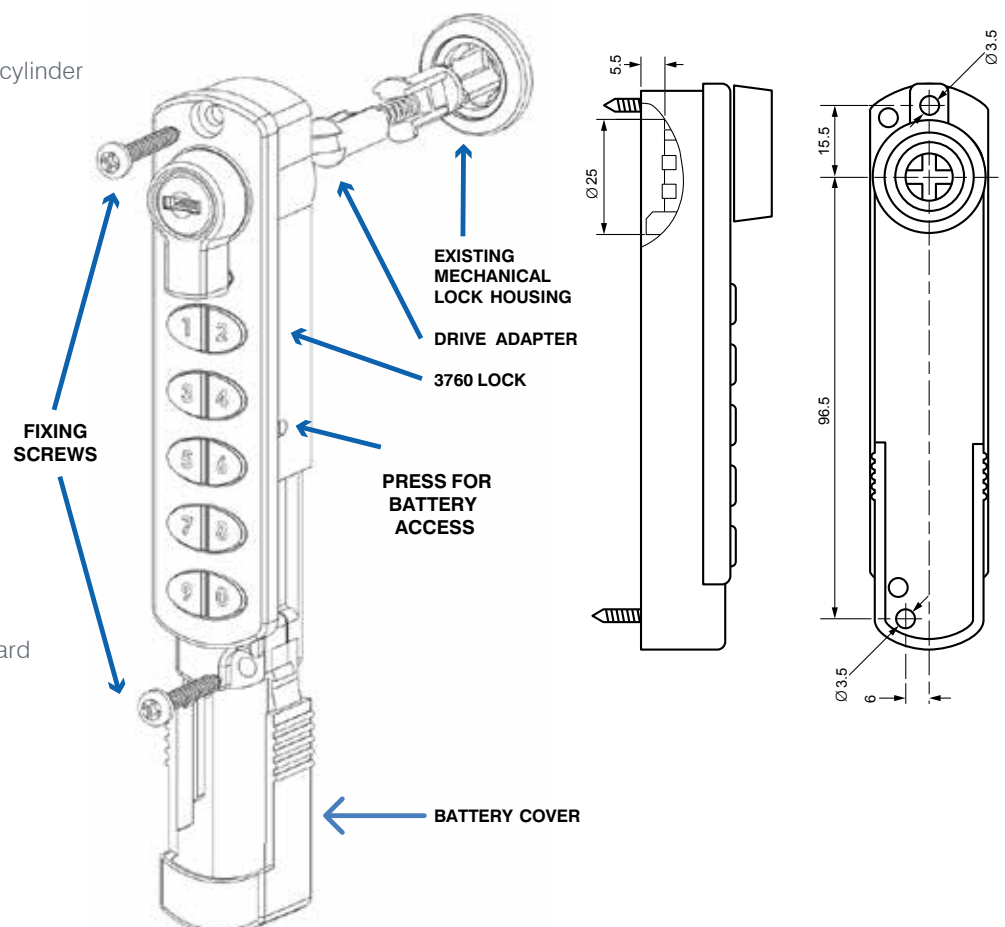
3. The Eclipse lock fits neatly over the top



4. Finished lock in position

TECHNICAL FEATURES

- Retro-fits to existing systems which incorporate a removable cylinder
- Easy to fit with adapter and two screws
- Right hand, left hand or vertical options
- Mechanical key-override
- LED Indicator lights
- 1 x AAA Battery, easy access
- Battery condition indicator
- 8 Digit master code
- 4 Digit user code
- Public and Private user modes
- ADA / DDA Compliant as standard
- Product ID : 3760





EXPLORE OUR OTHER PRODUCTS



Digital Combination Lock

Convenient and versatile system
no more lost keys!

Up to 80,000 cycles
per pair of batteries

Available with optional
Remote Allocation System (RAS)



Gemini Digital and Mechanical Locks

Vertical or Horizontal
Orientation available
Choice of standard
or custom colours



Pulsar Digital Combination Lock

Ideal solution for a keyless locking
requirement

Compatible with most standards
Including RFID and NFC

Can be paired
with existing wireless systems

Manufactured from Grivory
into a slimmer, re-styled housing

**For more information on Eclipse or our range of locking solutions call
+33 (0)3.87.92.61.11 or visit www.euro-locks.fr**

ABOUT US

Euro-Locks is a leading global manufacturer of locking systems for industry. You can buy from Euro-Locks with confidence knowing that:

- We manufacture over 60 million locking systems annually from our European and UK factories
- We offer a vast range of quality locking solutions to a highly diverse customer base
- We work closely with our customers to design bespoke locking solutions specific to their exact requirements
- We can supply standard or bespoke products in high or low volumes
- We have a dedicated team with many years' experience in the locking systems industry
- We have made locks since 1889 and are a fifth generation family owned business

Euro-Locks SA
1 rue du stade
57730 Folschviller

T: +33 (0)3.87.92.61.11
F: +33 (0)3.87.92.42.04
E: euro-locks@euro-locks.fr
W: www.euro-locks.fr

L&F A Lowe & Fletcher Group Company