



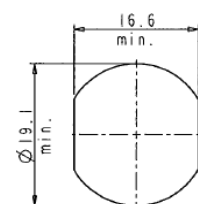
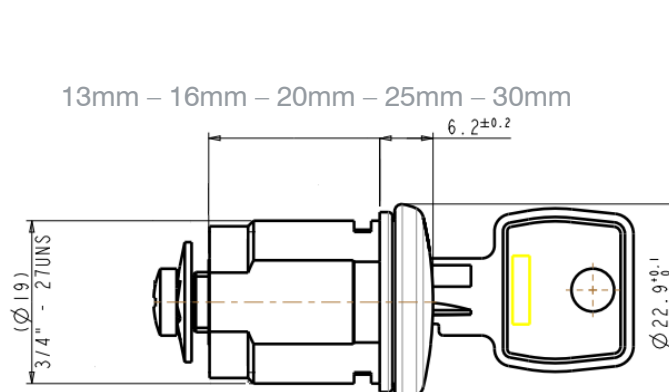
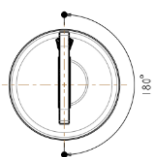
Designed to give a new up-to-date look to classic mechanical locks, the new **MAK₅** product range is giving a fresh impetus and a new dimension to the world of locks

With 5 different lengths, these locks can be used in many different applications and new design concepts.

MAK₅ is suitable for all applications where aesthetic appeal, reliability, security and smooth operation are required.

Main Features :

- Head cover with dust shutter made in stainless steel .
- Laser-marking option (your logo or company name or combinations can be marked on the cover on demand)
- Numerous combinations available (E233, E324...)
- Fitting hole diameter 19,1 x 16,6mm.
- Master key system available on demand



MAK5	Lock with customizable and fashionable stainless steel cap	
Body Lengths		
13	13MM	
16	16MM	
20	20MM	
25	25MM	
30	30MM	
Piercing		
K	Diameter 19,1 x 16,6mm	
Shutter		
S	Stainless Steel Shutter	
Variant		
00	Digits for variant	
Key Rotation		
01	90° Clockwise – 1 key exit at 12 O/C	
02	90° Anti Clockwise – 1 key exit at 12 O/C	
08	90° Clockwise – 2 key exit at 12 & 3 O/C	
09	90° Anti Clockwise – 2 key exit at 12 & 9 O/C	
03	180° Clockwise – 2 key exit at 12 & 6 O/C	
Finish		
7B	Body in Bright Nickel - head in stainless steel	
Lock Fixing		
N	Nut Fixing	
H	Horseshoe clip (please specify panel thickness)	
Master		
0	No masterkey system	
5	Masterkey system	

EXAMPLE

MAK5	13	K	S	00	03	7B	N	0
-------------	-----------	----------	----------	-----------	-----------	-----------	----------	----------

Lock with 13mm under the head - fixing hole size diameter 19,1 x 16,6mm – 180° Movement Clockwise 2 key exits - nickel finish - Nut fixing — Without Master

To be specified: Key alike or key to differ – Cam W2XXXXX



Euro-Locks S.A.
Rue de la Fontaine
8 6600 Bastogne
Belgium

T: +32 61 212 261
F: +32 61 212 265
E: sales@euro-locks.be
W: www.euro-locks.be

MAK5
DESIGN LOCK

L&F A Lowe & Fletcher Group Company