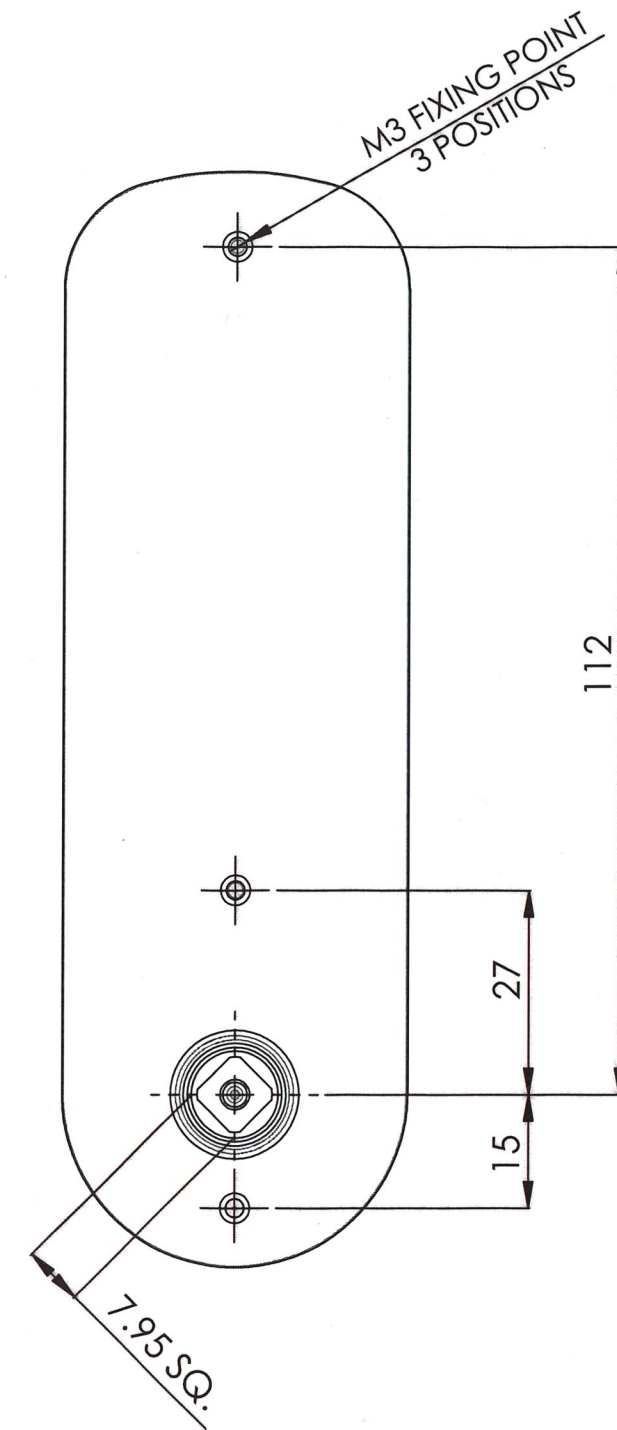
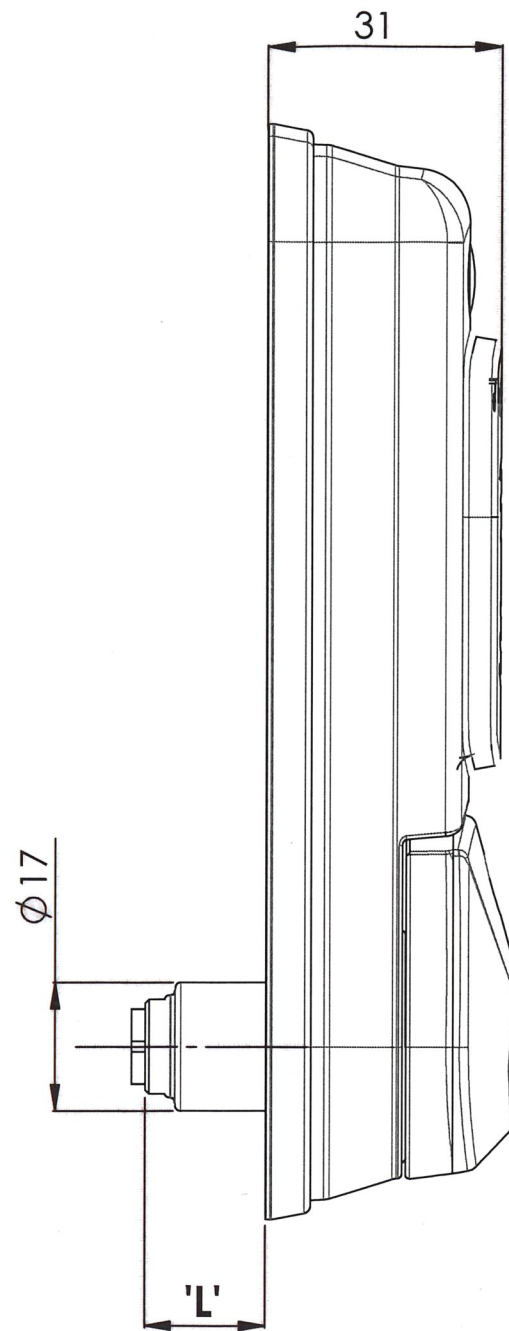
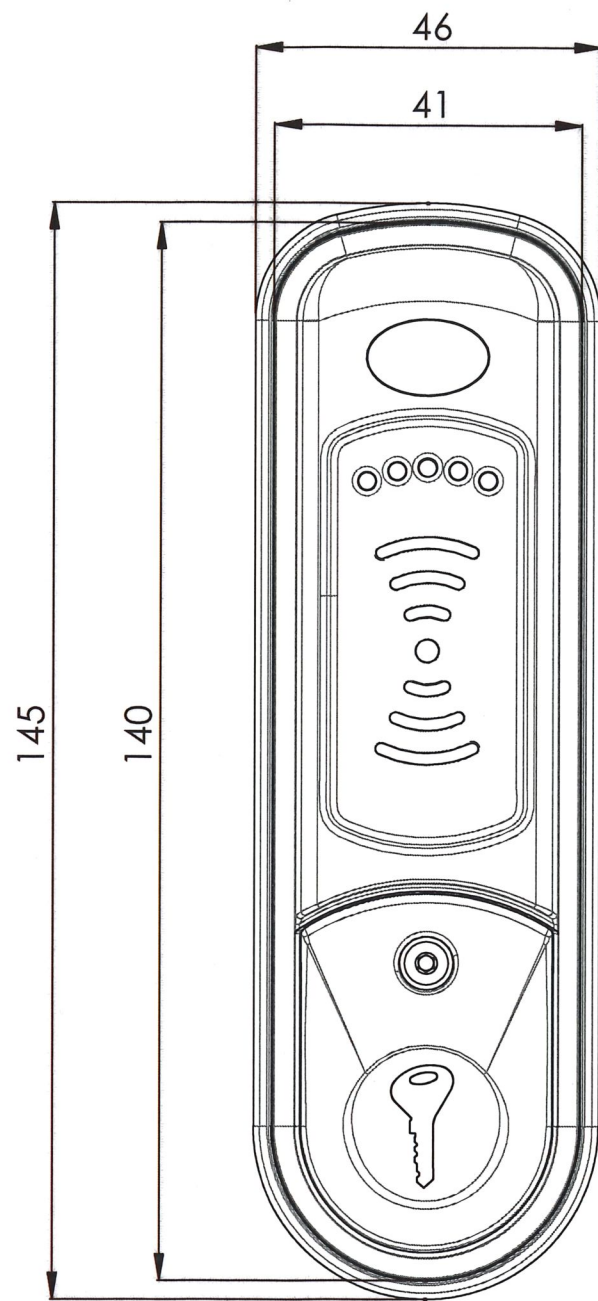


CAD LOCATION:



IF IN DOUBT ASK - DO NOT SCALE

USED ON:



PRODUCT	DIMENSION 'L'	ESCUTCHEON SUPPLIED AS STANDARD
3787110H	16mm	YES
3787210H	20mm	YES

ORIGINAL

TOLERANCES: LINEAR: ± 0.20 mm ANGULAR: $\pm 0.5^\circ$ UNLESS OTHERWISE STATED					
MATERIAL	AS DETAILS				
SPEC.					
FINISH			1	ECN7211 - PROD RELEASE	16/01/19
DRAWN	A.S.	DATE	16/01/19	NO	MODIFICATION DATE
CHECKED	CST	DATE	14/2/19		
<small>© COPYRIGHT 2015 NO PART OF THIS DOCUMENT MAY BE REPRODUCED IN ANY WAY WITHOUT PRIOR PERMISSION</small>				 ORIGINAL SHEET SIZE A3	
				DESCRIPTION PULSAR RFID WET AREA DCL 3787	

SCALE 1:1